

The global standard for automated blood collection mixer



CENTRON

AccuMix™ CM735A

BLOOD COLLECTION MIXER

■ Features

- Automatically clamps blood bag tubing when collected blood volume reaches preset volume. Preset volume is user-selectable.
- Rocks to mix collected blood with anticoagulant in the blood bag.
- LCD panel displays collected blood volume, preset volume to collect, total weight of collected blood and blood bags, elapsed time of donation and alarm symbols.
- Audible and visual alarm signals at the end of collection, at abnormal blood flow and at low battery condition.
- Large tray. Up to quadruple blood bags can be used.
- Automatically tares weight of blood bags to measure net volume of collected blood.
- Clamping module is detachable, so can be mounted either left side or right side.
- Fully portable with a rechargeable and replaceable battery pack.
- Both built-in charger and a separate charger unit included.
- Canvas carrying bag included.
- Lightweight, battery operation, carrying bag - a convenient machine for mobile units.

Centron

Smart Solutions for Smarter Bloodbanking

Interchangeable clamping module

- Clamping module clamps blood bag tubing when collected blood volume reaches user-selected preset volume. Also clamping module is detachable, so this can be mounted either left or right for user convenience.

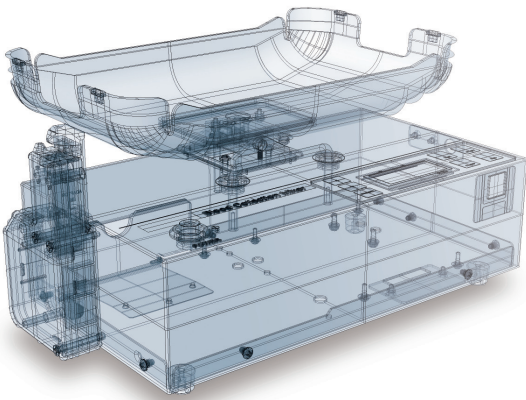


Control Panel



Refined simplicity meets robustness

- Just plug-in, switch-on and you're ready to go.
- Understanding user work flow and demands, CM735 has intuitive user interface and easy-to-follow set up menus.
- Our reliable weighing and mixing mechanism are protected by solid engineering grade featuring enhanced shock resistance and long-lasting durability. Compact size based on optimized weight distribution makes CM735 the perfect fit for anywhere.



Battery and Battery Charger

- CM735 can be powered by either a battery pack or an AC power adaptor. A Nickel-Cadmium battery pack of 12 Volts/2AH capacity is used. It is replaceable and rechargeable. An audible alarm sounds when battery voltage drops to its lower limit. The battery can be recharged while in the mixer or with a separate battery charger unit.



Replaceable battery pack



built-in charger and separate charger unit

Specification

Product	BLOOD COLLECTION MIXER
Model	CM735A
Power	18V --- 1.0A + ⚡ --
Adapter	100-240V~ 50/60Hz 0.5A
Dimension	203(W)mm/292(L)mm/140(H)mm

Information



DISTRIBUTOR

Centron Corporation

Address: 44 Beolmal-ro, Dongan-gu, Anyang, Gyeonggi-do,
Postal Code 431-804 / Republic of Korea
Phone: +82-31-422-7890 / **Fax:** +82-31-422-7866
E-mail: info@centrons.com
Website: www.centrons.com



※ The specification and design are subject to change without prior notice for product upgrades.